

# Sample Talk Presentation

David Johns

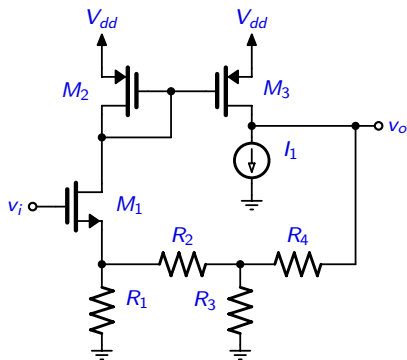
University of Toronto

*david.johns@utoronto.ca*

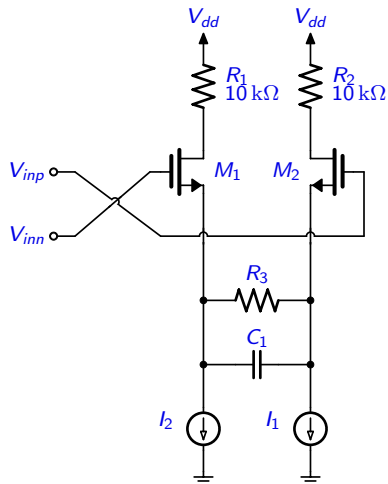
July 20, 2020

- First section
- Second section
  - Sub 2 Part 1
  - Sub 2 Part 2
- Third section
  - Sub 3 Part 1
  - Sub 3 Part 2
  - Sub 3 Part 3

# LTSpice Figures



Example 1



Example 2